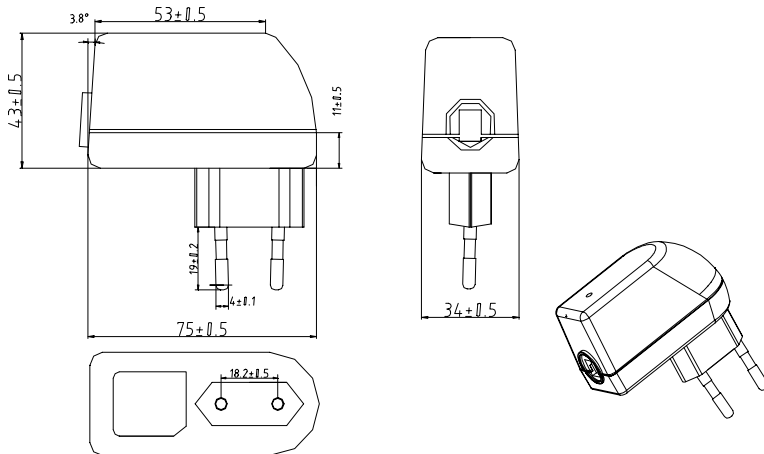


ADAPTER TYPE

SWITCHING POWER SUPPLY

www.suntak.com.tw

DIMENSIONS



SYS1298-W2E

Input Voltage Type: Universal Range

AC Input Voltage: 90~264 Vac

AC Input Frequency: 47~63 Hz

AC Input Current: 0.5A RMS

No. of Outputs: Single O/P

Load Regulation: +/-5%

Min. O/P Current: 0 Amp

Operating Temperature: 0-40

Protection: Short, OVP, OCP

MTBF : 35,000Hrs.

Hold Up Time: 10 Ms

Safety: GS/TUV, CB, CE, BSMI

Weight: 158 gms

Dimension: 75.0(L)×34.0(W)×43.0(H) mm

PART NUMBER	POWER RATING(W)	O/P VOLTAGE	MAX. O/P CURRENT(A)	Additional SAFETY
SYS1298-0303-W2E	3	3	1.00	
SYS1298-0312-W2E	3	12	0.25	
SYS1298-0315-W2E	3	15	0.20	
SYS1298-0503-W2E	5	3	1.50	
SYS1298-0605-W2E	6	5	1.20	
SYS1298-0609-W2E	6	9	0.67	
SYS1298-0610-W2E	6	10	0.60	
SYS1298-1505-W2E	15	5	3.00	
SYS1298-0615-W2E	6	15	0.40	
SYS1298-0805-W2E	8	5	1.60	
SYS1298-0806-W2E	8	6	1.33	
SYS1298-0808-W2E	8	8	1.00	
SYS1298-0909-W2E	9	9	1.00	
SYS1298-1010-W2E	10	10	1.00	

